



TEL-TRU MANUFACTURING COMPANY

DIGI-TEL INTEGRATED THERMOMETERS

Tel-Tru's DIGI-TEL Thermometers combine the easy, quick visual reference feature of a local indicator and the precision readout of a digital thermometer.



► **MODEL CODES** (all models include integrated stem):

Back	ND1B	3" diameter head
Connected	ND5B	5" diameter head
Bottom	ND1C	3" diameter head
Connected	ND5C	5" diameter head
Adjustable	ND1A	3" diameter head
Angle	ND5A	5" diameter head

► **SPECIFICATIONS:**

- Stem Lengths: 2½, 4, 6, 9, 12, 15, 18, and 24"
- Stem Diameter: .250"
- Connection: 1/2" NPT
- Material: 304SS
- Hermetic Seal: Per ASME B40.3 dustproof and moisture resistant
- Lens: Glass. Polycarbonate optional
- Power Source: Lithium battery
- Service Life: 5 years
- Sensor: Pt1000
- Resolution: 0.1°
- Reading Cycle: 3 second intervals
- Ambient Operating Temperature: -4 to 140°F (-20 to 60°C)



	3" Models		5" Models
Display Type	Analog/Digital Readout: <i>Analog</i> "gradations" similar to dial thermometers <i>Digital</i> readout for exact reading		Digital Only Readout
Size	.43" (11mm)		1.06" (27mm)
Factory Calibrated Temperature Ranges	Accuracy ± 1° or 1% FS	Accuracy ± 1° or .50% FS	Accuracy ± 1° or .25% FS
	25/125°F -60/40°C -40/80°C 0/120°C	-80/120°F -40/160°F 0/250°F 0/400°F 50/550°F 150/750°F 0/160°C 0/250°C 0/300°C	-75/750°F -60/400°C

World-Class Instruments Since 1916



www.teltru.com

DIGI-TEL INTEGRATED THERMOMETERS

► HOW TO ORDER

5" Case, Adjustable Angle, -75/750°F Range, Water Resistant and Polycarbonate window, .250" 304SS stem, 9" stem length, 1/2" NPT connection

A B C D E F G
 N D 5 A 0 9 1 0 1 P 4 2 0 9 6 0

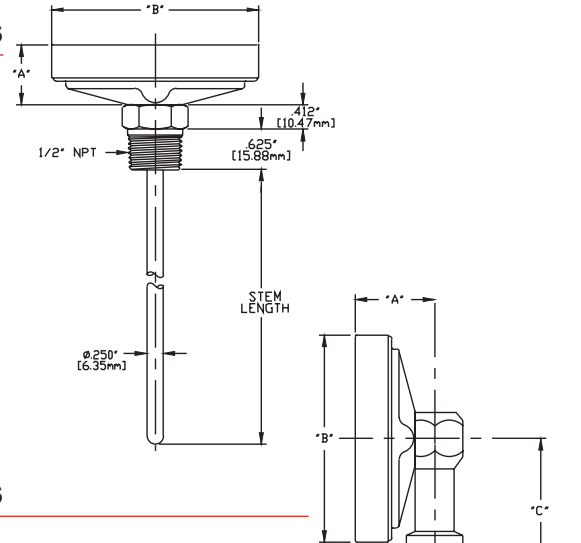
Code	Description																																																
A	Model ND1 3" Case ND5 5" Case																																																
B	Mounting Style A Adjustable Angle B Back Connected C Bottom Connected																																																
C	Range <table border="1"> <thead> <tr> <th colspan="2">Fahrenheit</th> <th colspan="2">Celsius</th> </tr> <tr> <th>Code</th> <th>Temp.</th> <th>Code</th> <th>Temp.</th> </tr> </thead> <tbody> <tr> <td colspan="4"><i>ND1 - 3" Cases, Analog/Digital</i></td> </tr> <tr> <td>01</td> <td>-80/120°F</td> <td>50</td> <td>-60/40°C</td> </tr> <tr> <td>02</td> <td>-40/160°F</td> <td>51</td> <td>-40/80°C</td> </tr> <tr> <td>03</td> <td>25/125°F</td> <td>52</td> <td>0/120°C</td> </tr> <tr> <td>04</td> <td>0/250°F</td> <td>53</td> <td>0/160°C</td> </tr> <tr> <td>05</td> <td>0/400°F</td> <td>54</td> <td>0/250°C</td> </tr> <tr> <td>06</td> <td>50/550°F</td> <td>55</td> <td>0/300°C</td> </tr> <tr> <td>07</td> <td>150/750°F</td> <td></td> <td></td> </tr> <tr> <td colspan="4"><i>ND5 - 5" Cases, Digital only</i></td> </tr> <tr> <td>09</td> <td>-75/750°F</td> <td>58</td> <td>-60/400°C</td> </tr> </tbody> </table>	Fahrenheit		Celsius		Code	Temp.	Code	Temp.	<i>ND1 - 3" Cases, Analog/Digital</i>				01	-80/120°F	50	-60/40°C	02	-40/160°F	51	-40/80°C	03	25/125°F	52	0/120°C	04	0/250°F	53	0/160°C	05	0/400°F	54	0/250°C	06	50/550°F	55	0/300°C	07	150/750°F			<i>ND5 - 5" Cases, Digital only</i>				09	-75/750°F	58	-60/400°C
Fahrenheit		Celsius																																															
Code	Temp.	Code	Temp.																																														
<i>ND1 - 3" Cases, Analog/Digital</i>																																																	
01	-80/120°F	50	-60/40°C																																														
02	-40/160°F	51	-40/80°C																																														
03	25/125°F	52	0/120°C																																														
04	0/250°F	53	0/160°C																																														
05	0/400°F	54	0/250°C																																														
06	50/550°F	55	0/300°C																																														
07	150/750°F																																																
<i>ND5 - 5" Cases, Digital only</i>																																																	
09	-75/750°F	58	-60/400°C																																														
D	Display Options 100 None 101 Polycarbonate Window																																																
E	Stem Diameter / Material P42 .250" diameter / 304SS stem																																																
F	Stem Length 02 2½" 04 4" 06 6" 09 9" 12 12" 15 15" 18 18" 24 24"																																																
G	Connection 6 1/2" NPT 2 1/2" NPT Union 7 1/2" BSPT 4 Plain bushing																																																

► STANDARD MODELS and SPECIFICATIONS:

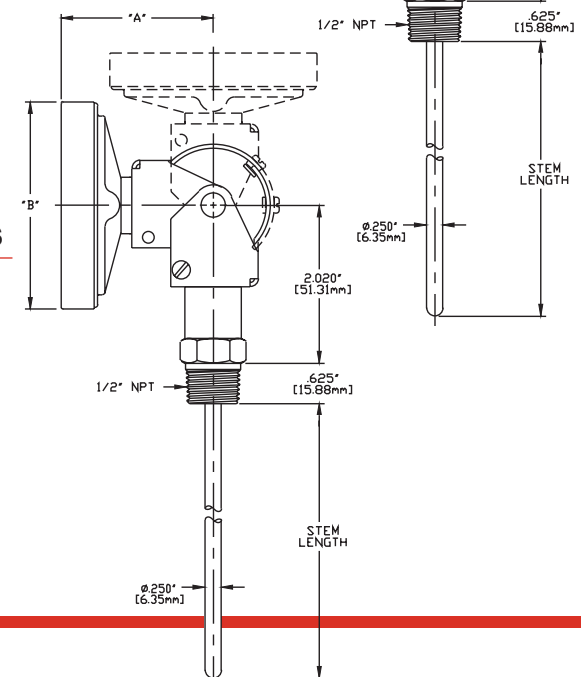
Model	"A"	"B"	"C"
ND1B	.890" (22.61mm)	3.187" (80.95mm)	—
ND5B	1.328" (33.73mm)	5.040" (128.02mm)	—
ND1C	1.187" (30.15mm)	3.187" (80.95mm)	2.300" (58.42mm)
ND5C	1.625" (41.28mm)	5.040" (128.02mm)	3.000" (76.20mm)
ND1A	2.430" (61.72mm)	3.187" (80.95mm)	—
ND5A	2.660" (67.56mm)	5.040" (128.02mm)	—

Stem Length ("U" Length)	
2.5"	(63.5mm)
4.0"	(101.6mm)
6.0"	(152.4mm)
9.0"	(228.6mm)
12.0"	(304.8mm)
15.0"	(381.0mm)
18.0"	(457.2mm)
24.0"	(609.6mm)

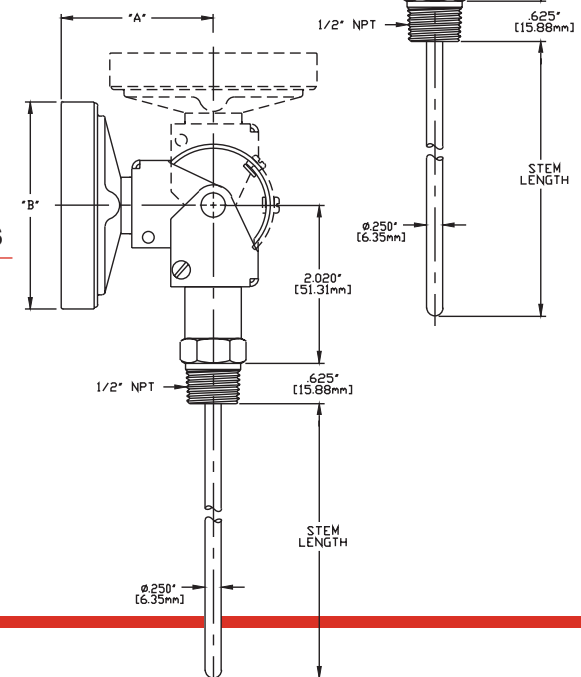
► ND_B MODELS



► ND_C MODELS



► ND_A MODELS



Tel-Tru Manufacturing Company

408 St. Paul St., Rochester, New York 14605 USA

Phone: 585.232.1440 • 800.232.5335 • Fax: 585.232.3857 • E-mail: info@teltru.com • Web: www.teltru.com

DTN108

© 2008