

# MODEL 31

## 1% SOLID FRONT STAINLESS STEEL PRESSURE GAUGES DRY OR LIQUID FILLED

*Solid front, blowout back, field fillable model, designed for the rugged applications of the process and power industries.*



### SPECIFICATIONS:

Dial Size:	4" (100mm)
Accuracy:	±1% FS - ANSI Grade 1A
Case:	304SS
Bezel:	304SS Bayonet Lock Type
Socket:	316SS or Monel
Bourdon Tube:	316SS or Monel
Movement:	316SS with Overload/Underload Stops
Lens:	Laminated Safety Glass
Pointer:	Friction Adjustable
Dial:	Heavy Gage Aluminum
Connection:	4" - 1/4" NPT or 1/2" NPT Lower (Fully Welded)
Range:	See Range Chart
Scales:	psi (metric available)
Blow Out Back:	Standard
Protection Standard:	IP65 in accordance with NF EN 60529

### ► AVAILABLE OPTIONS:

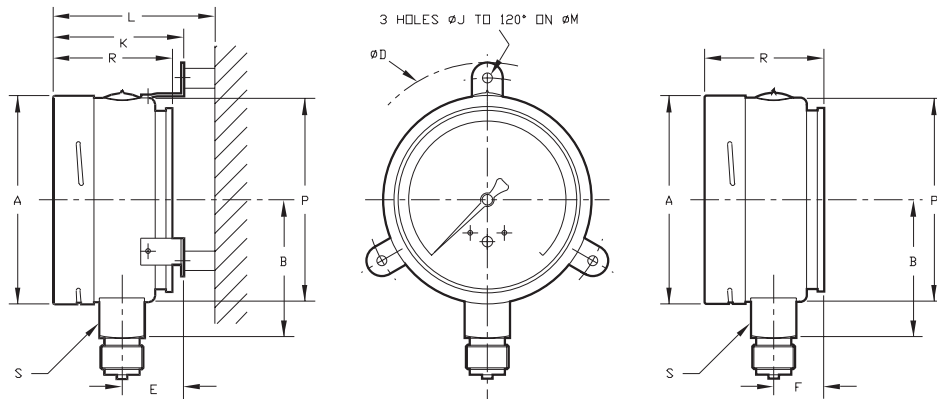
- Fill (Glycerine Standard) • Oxygen Cleaning (dry only)
- Other Fluids Available
- Back Flange
- Restrictor

### MODEL CODES:

Model 31S	316SS Tube and Socket
Model 31M	Monel Tube and Socket

Estimated Shipping Weights		
DIAL SIZE	DRY	FILLED
4"	1 lb. 8 oz.	2 lbs. 4 oz.

### ► AVAILABLE CASE STYLES AND DIMENSIONS:



DIAL	A	B	D	E	F	J	K	L	M	P	R	S
4"	3.98" (101mm)	2.64" (67mm)	5.24" (133mm)	1.18" (30mm)	.96" (24.5mm)	.19" (4.8mm)	2.50" (63mm)	3.09" (78.5mm)	4.65" (118mm)	3.9" (99mm)	2.28" (58mm)	.87" (22mm)



Tel-Tru Manufacturing Company  
 408 St. Paul Street, Rochester, New York 14605 USA  
 Phone: 585.232.1440 • 800.232.5335 • Fax: 585.232.3857 • E-mail: info@teltru.com • Web: www.teltru.com

► HOW TO ORDER:

To Build A Part Number: Select one code from each column to build your gauge.

DIAL	MODEL CODE	TUBE & SOCKET	CASE	CONN. SIZE	CONN. LOCATION	CONN. TYPE	RANGE & SCALE	OPTIONS
4"	4031	S = 316SS M = Monel	S = Stainless Steel	2 = 1/2" 4 = 1/4"	L = Lower	1 = NPT 2 = BSPT 3 = BSP straight	See Range Chart	E = Back Flange G = Glycerine Fill R = Restrictor S = Silicone Fill Oxygen Cleaning *

\* Oxygen cleaning is sold separately. Order part number 10000006.

Example:

**Specs:** 4", Model 31, 316SS, 1/4" Lower, NPT, 0-1500 psi, Glycerine

<b>Select:</b>	40 31	S	S	4	L	1	H2A	G
----------------	-------	---	---	---	---	---	-----	---

**Ordering Format:** 4031SS4L1H2AG

► STANDARD RANGES:

CODE = RANGE (psi)	INTERVALS (Hg) (psi)	DIVISIONS (Hg) (psi)
V1K = 30" Hg	5"	.5"
Z1A = 30-0-15	5" 3	1" .5
Z2A = 30-0-30	10" 5	1" .5
Z3A = 30-0-60	10" 10	2" 1
Z4A = 30-0-100	30" 10	5" 2
Z5A = 30-0-160	30" 20	5" 2

CODE = RANGE (psi)	INTERVALS (psi)	DIVISIONS (psi)
B7A = 0-15	3	.2
C6A = 0-30	5	.5
D6A = 0-60	10	.5
D9A = 0-100	10	1
E4A = 0-160	20	2
E5A = 0-200	20	2
E8A = 0-300	50	2
F2A = 0-400	50	5
F4A = 0-600	100	5
F7A = 0-800	100	10

CODE = RANGE (psi)	INTERVALS (psi)	DIVISIONS (psi)
F8A = 0-1000	100	10
H2A = 0-1500	200	20
H5A = 0-2000	200	50
H9A = 0-3000	500	50
J4A = 0-4000	500	50
J8A = 0-5000	500	100
K4A = 0-10,000	1000	100
K7A = 0-15,000	3000	100

NOTE: ABOVE 15,000 PSI AVAILABLE ONLY WITH 1/2" BSP STRAIGHT CONNECTION (G'1/2).  
 NOTE: OTHER RANGES AND SCALES AVAILABLE. CONSULT FACTORY.