



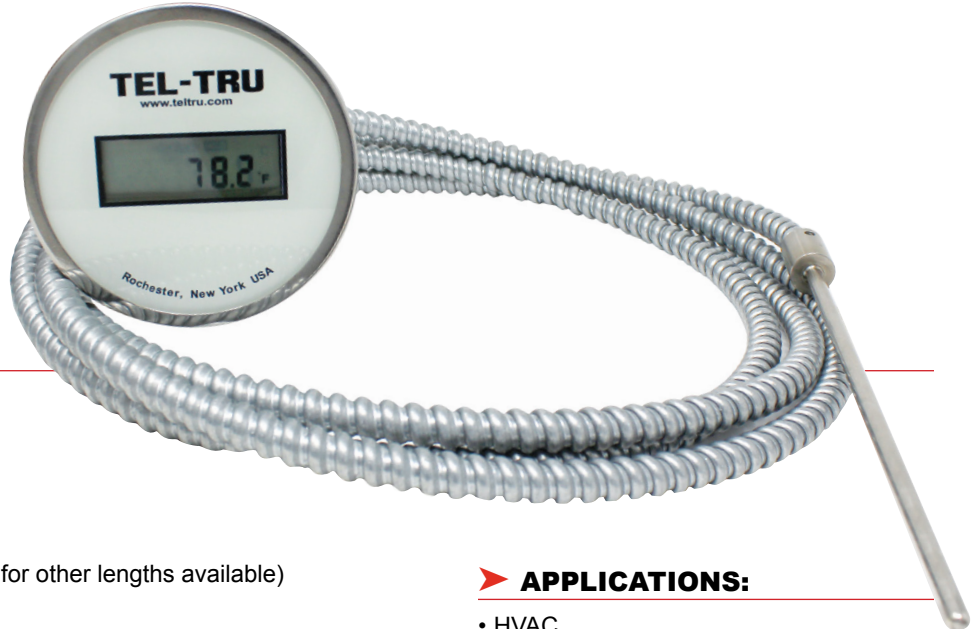
TEL-TRU MANUFACTURING COMPANY

MODEL RD3 AND RD4 INDUSTRIAL DIGITAL THERMOMETERS

The Tel-Tru Digi-Tru™ RD3 and RD4 digital thermometers are designed to deliver industry-leading value. They are rugged and dependable for use in industrial applications, and are available in a wide range of configurations to meet customer needs. All models include a robust battery that lasts a minimum of eight years. *

FEATURES:

- Heavy duty 3" (77mm) or 4" (102mm) 304SS case
- Digital sensor for maximum precision
- Response rate of 1 second
- 8-year lithium battery *
- High-visibility 0.4" (10mm) tall LCD display
- Serial number on each unit for identification
- NIST traceable calibration cert. available
- Factory programmable for °F or °C
- Ideal for replacing Gas Actuated and Vapor Tension thermometers



SPECIFICATIONS:

Environmental

Traceability: NIST traceable
 Operating Temp. Range: -67°F to 302°F (-55°C to 150°C)

Mechanical

Probe length: 8" probe (contact factory for other lengths available)
 Probe diameter: .250" (.64cm)
 Probe material: 304SS
 Housing: RD3: Heavy duty 3" (77mm) 304SS case
 RD4: Heavy duty 4" (102mm) 304SS case
 Lens: Glass (standard) or Polycarbonate
 Digit Size: High-visibility 4 digit, 0.4" (10mm) tall
 Mounting Type: U Clamp
 Connection fitting: ½" NPT Sliding Compression Fitting
 Cable: Armored flexible conduit (zinc-plated)
 Ambient Temp. Range: 20°F to 120°F (-7°C to 49°C)
 Battery: 8-year lithium battery *
 Warranty: 2 years from shipment

Electrical

Sensor: High-precision digital temperature sensor
 Accuracy: ±0.1 °F/C (maximum) from -4°F to 122°F (-20°C to 50°C)
 ±0.2 °F/C (maximum) from -40°F to 212°F (-40°C to 100°C)
 ±0.3 °F/C (maximum) from -67°F to 257°F (-55°C to 125°C)
 ±0.4 °F/C (maximum) from -67°F to 302°F (-55°C to 150°C)
 Display Resolution: 0.1°F/C
 Refresh Rate: 1 second

APPLICATIONS:

- HVAC
- OEM Configurations
- General Industrial

Available in three colors



* Battery life expectancy is eight years at normal room temperature.



Tel-Tru Manufacturing Company

408 St. Paul St., Rochester, New York 14605 USA

Phone: 585.232.1440 • 800.232.5335 • E-mail: customerservice@teltru.com • Web: www.teltru.com

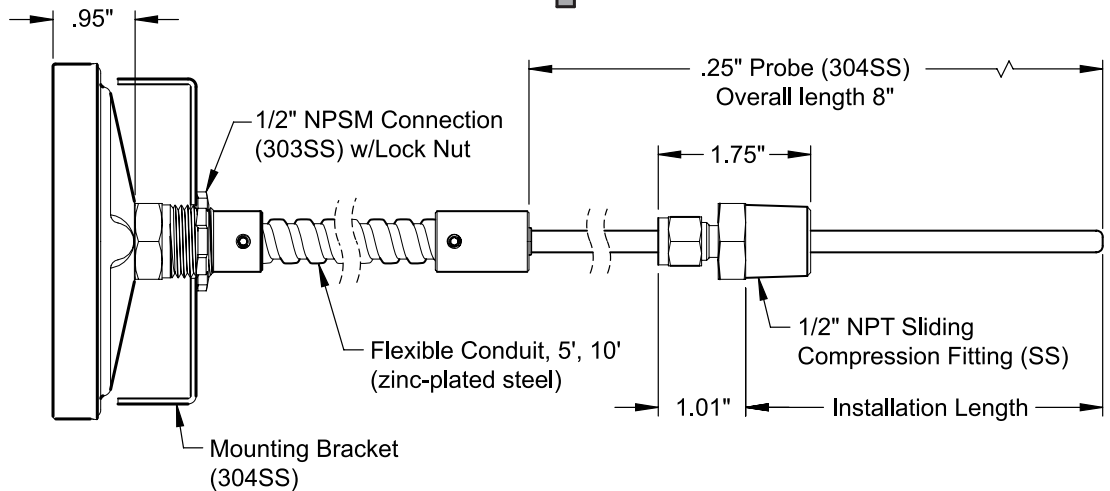
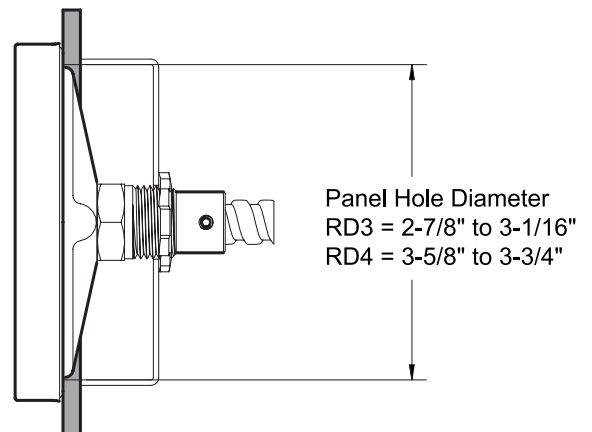
ISO 9001:2015

➤ HOW TO ORDER:

Ordering Example: Model RD4, 4" Remote Connect, -67/302°F, blue glass lens, probe 304SS blunt, .250" diameter, 8" probe length, Sliding compressing fitting to 1/2" NPT connection, Armored (zinc-plated steel) 10' cable

A	B	C	D	E	F	G	H	I
R D 4 G X	D V 1	1 B	1	- P 1 2	0 8	8	- C 5	0 1 0

A	Case Size and Mounting RD3GX 3" Remote Mount RD4GX 4" Remote Mount
B	Range DV1 -67/302°F DZ1 -55/150°C
C	Lens Color 1W White dial 1B Blue dial 1R Red dial
D	Lens Material 1 Glass (Std) 3 Polycarbonate
E	Probe Type and Diameter -P12 304SS Blunt (Std), .250" Diameter
F	Probe Length 08 8"
G	Connection 8 Sliding Compression Fitting to 1/2" NPT
H	Shielding -C5 Armored cable, zinc-plated steel
I	Cable Length 005 5' Cable 010 10' Cable



TRACEABLE TO **NIST** **MADE IN USA**



Tel-Tru Manufacturing Company

408 St. Paul St., Rochester, New York 14605 USA

Phone: 585.232.1440 • 800.232.5335 • E-mail: customerservice@teltru.com • Web: www.teltru.com

RD342303

© 2023