

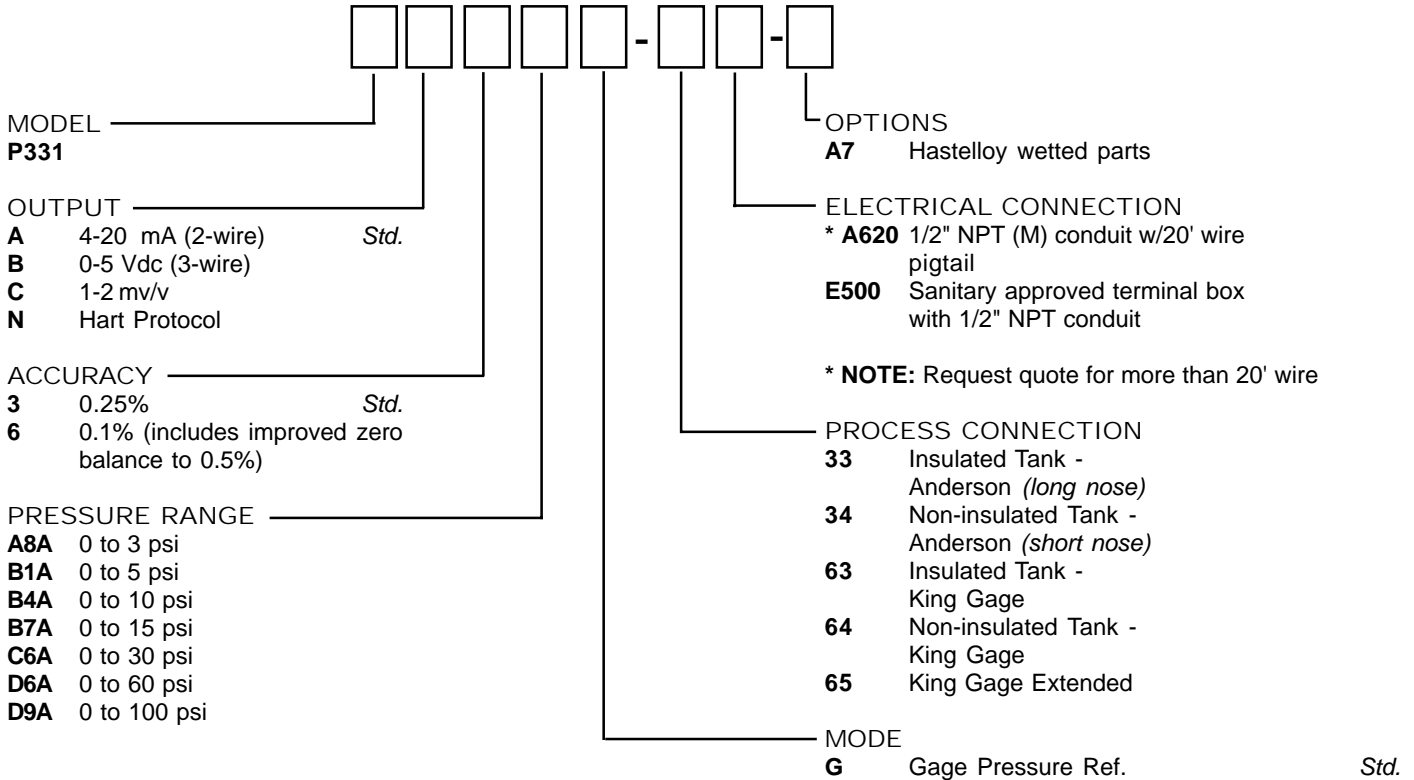
# TEL-TRU PRESSURE TRANSMITTERS

## Sanitary Series Model P331 - Tank Level

**HOW TO ORDER EXAMPLE:**

Tank Level Transmitter, 4-20 mA, 0.25% Accuracy, 0-10 psi, Gage Pressure, Insulated Anderson tank, 20 ft. 1/2" NPT conduit.

**Example: P331 A 3 B4A G - 33 A620 -**



**PRICES INCLUDE:**

- Certificate of Calibration (directly traceable to NIST)

**IMPORTANT NOTE:**

Available Upon Request--Additional Options (consult factory):

- Pressure Ranges/Unit of Measure
- Cherry-Burrell process connection and receivers

**ACCESSORIES (to be ordered separately)**

- P331-01** Retaining nut - Anderson
- P331-02** Retaining nut - King Gage
- P331-03** Receiver, insulated tank - Anderson
- P331-04** Receiver, non-insulated tank - Anderson
- P331-05** Receiver, insulated tank - King Gage
- P331-06** Receiver, non-insulated tank - King Gage

