

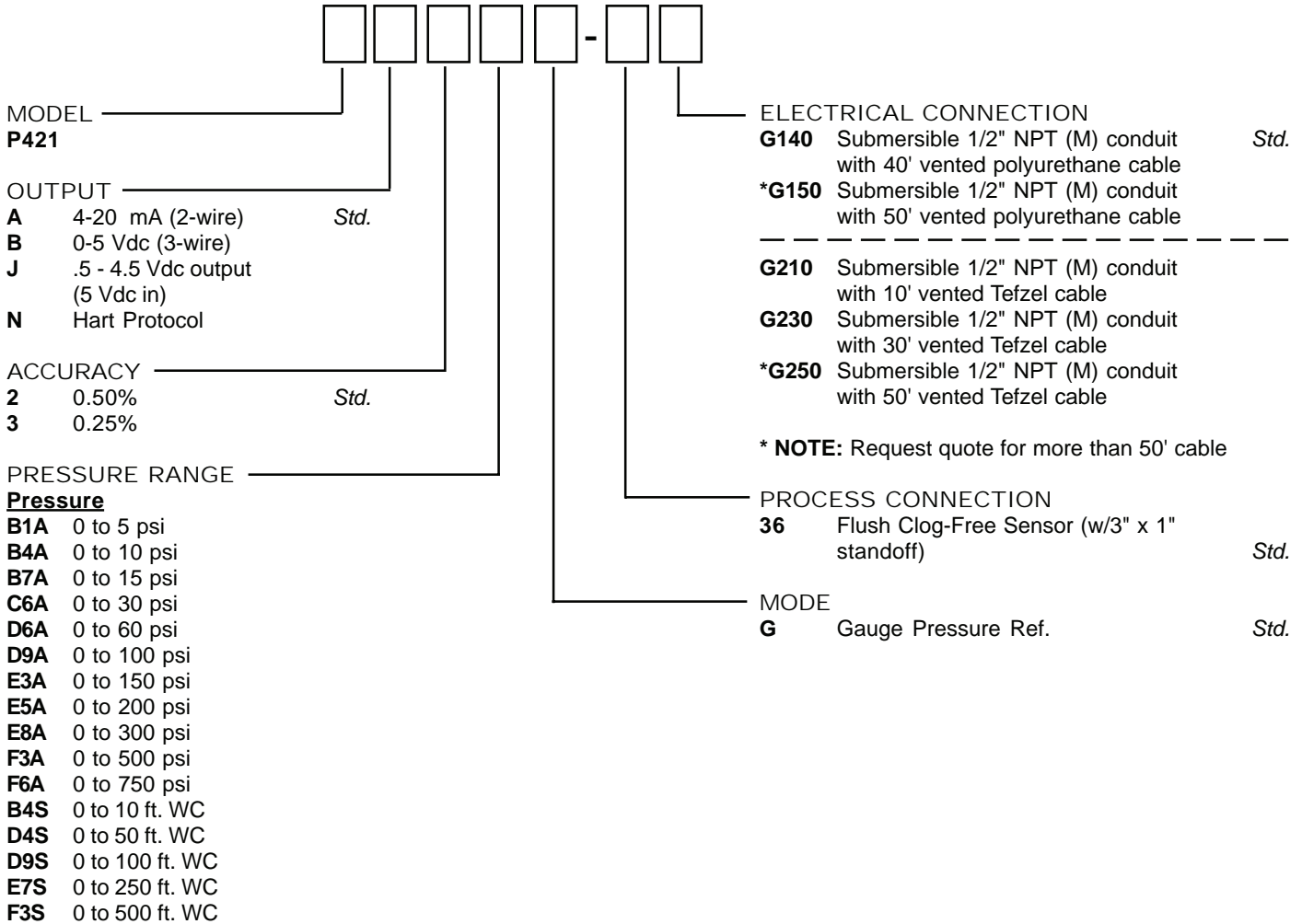
# TEL-TRU PRESSURE TRANSMITTERS

## Submersible Series Model P421

**HOW TO ORDER EXAMPLE:**

Precision Grade Submersible, 4-20 mA, 0.25% Accuracy, 0 to 100 psi, Gauge Pressure, Flush Clog-Free Sensor, 1/2" NPT (M) conduit w/40' submersible vented polyurethane cable.

**Example: P421 A 3 D9A G - 36 G140**



**PRICES INCLUDE:**

- Certificate of Calibration (directly traceable to NIST)

**IMPORTANT NOTE:**

Available Upon Request--Additional Options (consult factory):

- Process Connections
- Electrical Connections and more than 50' cable
- Pressure Ranges/Unit of Measure

