

# Tel-Tru Sanitary Pressure Gauge MODEL 84

## HOMOGENIZER LINE

Model 84 heavy-duty Homogenizer gauges are accurate to  $\pm 1\%$  full scale, and are liquid filled for vibration and pulsation damping. Special diaphragm seals with or without flanges fit homogenizers; pressure ranges go from 1,500 to 15,000 PSI.



### Model 84



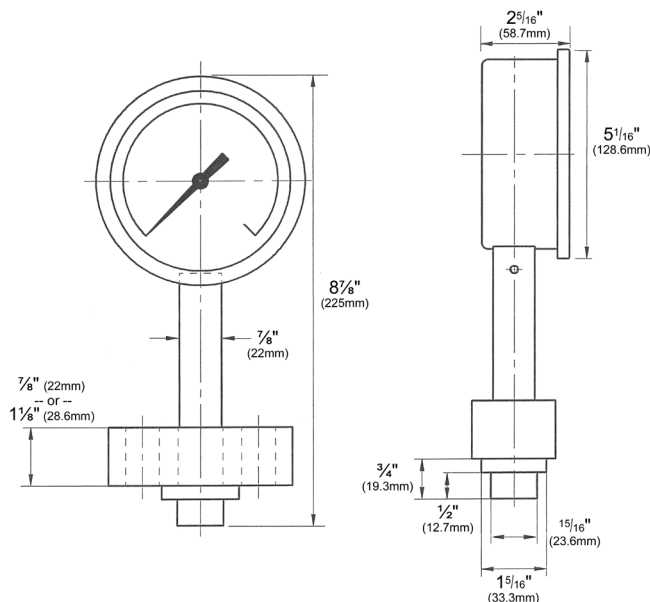
### > SPECIFICATIONS:

Dial size/Accuracy:	5" (120mm) $\pm 1\%$ FS
Case:	304 SS, Food Grade Glycerine filled
Bezel:	304 SS
Wetted Materials:	316L SS diaphragm Ra < 25 microinches 316L SS homogenizer shaft
Internal Materials:	Brass/bronze system/movement Mechanical dampening
Transmission Fluid:	Glycerine system fill
Connection Fitting:	Homogenizer Lower mount
Lens:	Polycarbonate
Pointer:	Aluminum with re-zero adjustment
Dial:	White aluminum
Ranges:	See chart: 1,000 to 15,000 psi
Scale:	PSI or dual PSI/Bar
Over range protection:	P max + 30%
Sanitary Standard:	Meets 3-A Sanitary Standard 74-07 requirements.
Traceable ID:	Marked with order and date code
Environmental Protection:	Waterproof, can be CIP

### > AVAILABLE OPTIONS:

- Dry case
- Right, left, or top mounting options
- Flange options include:  $\frac{7}{8}$ " Thick 2 Bolt Flange (*fits Crepaco*); 1 $\frac{1}{8}$ " Thick 2 Bolt Flange (*fits Gaulin*); Waukesha  $\frac{1}{2}$ " Thick 4 Bolt Flange; Waukesha  $\frac{3}{4}$ " Thick 4 Bolt Flange; 1.66" Thick Laboratory Flange; APV Rannie Fitting; Niro/Soavi 1 $\frac{5}{16}$ " Thick 2 Bolt Flange

### > DIMENSIONS:



### > TEMPERATURE LIMITS:

Process Temperature Range:	10°F to 250°F (-12°C to 121°C)*
Ambient Operating Limits:	25°F to 160°F (-4°C to 71°C)
Ambient Storage Limits:	0°F to 250°F (-18°C to 121°C)

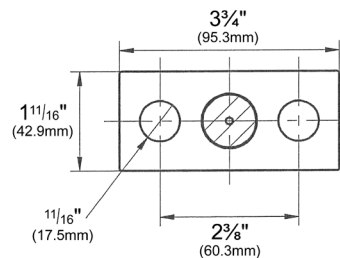
\*250°F (121°C) is maximum process temperature with high temperature option

### > MODEL CODES:

5084 Homogenizer, 5" dial

### > REPAIR SERVICE:

- Disassemble, clean, and inspect all components
- Replace/repair damaged or worn components
- Reassemble and calibrate to original factory specifications



**Tel-Tru Manufacturing Company**

408 St. Paul St., Rochester, New York 14605 USA

Phone: 585.232.1440 • 800.232.5335 • Fax: 585.232.3857 • E-mail: info@teltru.com • Web: www.teltru.com

# Tel-Tru Sanitary Pressure Gauge MODEL 84

## HOMOGENIZER LINE

### How to Order

**Ordering Example: Homogenizer, 5" dial, 316L SS wetted parts, 304 SS case, 7/8" Thick 2 bolt flange connection size, Lower location, Homogenizer connection type, 0-10,000 psi & 0-700 bar range, Glycerine filled case.**



Code	Description		
<b>A</b>	<b>Model</b>		
	5084	Homogenizer, 5" dial	
<b>B</b>	<b>Materials - Wetted Parts</b>		
	1	316L SS	S
<b>C</b>	<b>Case</b>		
	S	304 SS	S
<b>D</b>	<b>Connection Size</b>		
	A	7/8" Thick 2 Bolt Flange ( <i>fits Crepaco</i> )	X
	B	1 1/8" Thick 2 Bolt Flange ( <i>fits Gaulin</i> );	X
	2	Waukesha 1/2" Thick 4 Bolt Flange	X
	6	Waukesha 3/4" Thick 4 Bolt Flange	X
	D	1.66" Thick Laboratory 2 Bolt Flange	X
	G	APV Rannie Fitting no flange	X
	H	Niro/Soavi 5/16" Thick 2 Bolt Flange	X
	C	No flange	X
<b>E</b>	<b>Connection Location</b>		
	L	Lower	X
<b>F</b>	<b>Connection Type</b>		
	E	Homogenizer	S
<b>G</b>	<b>Range and Scale</b>		
	XXX	See Range Chart	
<b>H</b>	<b>Options* Insert codes only if required</b>		
	L	Glass Lens	X
	D	Drag Pointer	X
	O	Extra Dampening	X
	I	High Temperature Option Process temp. >250°F	X
<b>I</b>	<b>Case Fill</b>		
	G	Glycerine Filled	S
	T	Dry Case	X

### Ranges

	CODE
0-1000 psi	F8A
0-2500 psi	H7F
0-3000 psi	H9A
0-5000 psi	J8A
0-7500 psi	K2F
0-10000 psi	K4A
0-15000 psi	K7A
0-1000 psi & 0-70 bar	F8F
0-2500 psi & 0-170 bar	H7F
0-3000 psi & 0-200 bar	H9F
0-5000 psi & 0-350 bar	J8F
0-7500 psi & 0-520 bar	K2F
0-10000 psi & 0-700 bar	K4F
0-15000 psi & 0-1000 bar	K7F

Other ranges are available, including PSI/Kg/cm<sup>2</sup> and PSI/KPa.

### Repair Service

(order separately)

**RSPG84-50** 5" Homogenizer pressure gauges

### Certificates

(order separately)

**10000016** Material Certificate  
**10000002** Calibration Certificate

\* See Ordering Example, top of page.

Other case fill materials and transmission fluids are available on request.

Shipping weight approximately 3lbs. (1.3kg)

Product specifications and pricing are subject to change without notice.



### Tel-Tru Manufacturing Company

408 St. Paul St., Rochester, New York 14605 USA  
 Phone: 585.232.1440 • 800.232.5335 • Fax: 585.232.3857  
 E-mail: info@teltru.com • Web: www.teltru.com