



# TEL-TRU MANUFACTURING COMPANY

## MODEL ND3 INDUSTRIAL DIGITAL THERMOMETER

The Tel-Tru ND3 digital thermometer is designed to deliver industry-leading value. It is rugged and dependable for use in industrial applications, and is available in a wide range of configurations to meet customer needs. All models are NIST traceable and include a lifetime battery that lasts a minimum of 8 years.\*

### ► FEATURES:

- Heavy duty 3" (77mm) 304SS hermetically sealed case
- Digital sensor for maximum precision
- Response rate of 1 second
- 8-year lithium battery\*
- Available in wide range of configurations
- High-visibility 0.4" (10mm) tall LCD display
- Serial number on each unit for identification
- NIST traceable calibration certificate available
- Factory programmable for °F or °C

### ► SPECIFICATIONS:

#### Environmental

Protection: IP67  
 Traceability: NIST traceable  
 Operating Temp. Range: -67°F to 302°F (-55°C to 150°C)

#### Mechanical

Probe lengths: 2.5" to 24" (6.4cm to 61cm)  
 Probe diameters: 1/4" (.64cm)  
 Probe material: 304SS (standard) or 316SS  
 Housing: Heavy duty 3" (77mm) 304SS hermetically sealed case  
 Lens: Glass (standard) or Polycarbonate  
 Digit Size: High-visibility 4 digit, 0.4" (10mm) tall  
 Mounting Type: Adjustable Angle, Back Connect, Bottom Connect  
 Connection fittings: 1/2" NPT, 1/2" NPT Union, 1/2" BSPT, or plain bushing  
 Ambient Temp. Range: 20°F to 120°F (-7°C to 49°C)  
 Battery: 8-year lithium battery\*  
 Warranty: 2 years from shipment

#### Electrical

Sensor: High-precision digital temperature sensor  
 Accuracy: ±0.1 °F/C (maximum) from -4°F to 122°F (-20°C to 50°C)  
 ±0.2 °F/C (maximum) from -40°F to 212°F (-40°C to 100°C)  
 ±0.3 °F/C (maximum) from -67°F to 257°F (-55°C to 125°C)  
 ±0.4 °F/C (maximum) from -67°F to 302°F (-55°C to 150°C)  
 Display Resolution: 0.1°F/C  
 Refresh Rate: 1 second

\* Battery life expectancy is eight years at normal room temperature.



Available in three colors



### Tel-Tru Manufacturing Company

408 St. Paul St., Rochester, New York 14605 USA

Phone: 585.232.1440 • 800.232.5335 • E-mail: customerservice@teltru.com • Web: www.teltru.com

ISO 9001:2015

**➤ HOW TO ORDER:**

<b>A</b>	<b>Case Size and Mounting - Industrial</b>	
	<b>ND3AX</b>	3" Adjustable Angle
	<b>ND3BX</b>	3" Back Connect
	<b>ND3CX</b>	3" Bottom Connect at 6:00 Position
	<b>ND3DX</b>	3" Right Connect at 3:00 Position
	<b>ND3EX</b>	3" Left Connect at 9:00 Position
	<b>ND3FX</b>	3" Top Connect at 12:00 Position
<b>B</b>	<b>Range</b>	
	<b>DV1</b>	-67/302°F
	<b>DZ1</b>	-55/150°C
<b>C</b>	<b>Lens Color</b>	
	<b>1W</b>	White dial
	<b>1B</b>	Blue dial
	<b>1R</b>	Red dial
<b>D</b>	<b>Lens Material</b>	
	<b>1</b>	Glass (Std)
	<b>3</b>	Polycarbonate
<b>E</b>	<b>Probe Type and Diameter</b>	
	<b>P12</b>	304SS Blunt (Std), .250" Diameter
	<b>P22</b>	316SS Blunt, .250" Diameter
	<b>P43</b>	304SS Stem .375" with .250" Stepped Pointed Tip
<b>F</b>	<b>Probe Length*</b>	
	<b>02</b>	2.5"
	<b>04</b>	4"
	<b>06</b>	6"
	<b>09</b>	9"
	<b>12</b>	12"
	<b>15</b>	15"
	<b>18</b>	18"
	<b>24</b>	24"
	<b>G</b>	<b>Connection</b>
<i>Available for probe types P12 and P22</i>		
<b>6</b>		1/2" NPT
<b>2</b>		1/2" NPT Union
<b>7</b>		1/2" BSPT
<b>4</b>		Plain Bushing
<i>Available for probe type P43</i>		
<b>6</b>	1/2" NPT	

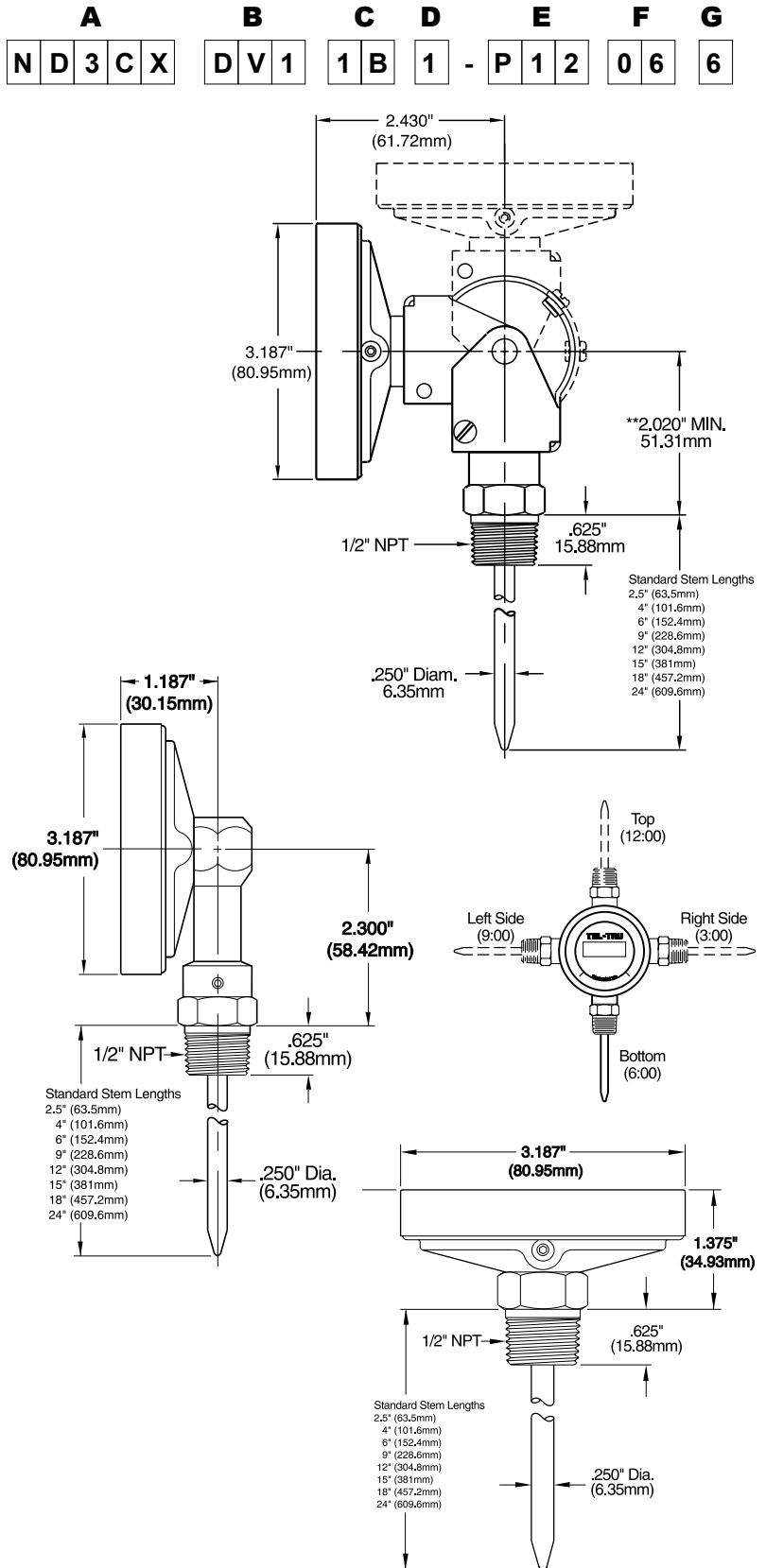
\*Probe type P43 requires probe length of 6" or longer.

**➤ APPLICATIONS:**

- Oil and Gas
- Pharmaceutical/Biotech
- Petrochemical
- Water/Wastewater Processing
- HVAC
- Equipment Skids
- General Industrial



**Ordering Example:** Model ND3, 3" Bottom Connect (6:00), range -67/302°F, blue glass lens, probe 304SS blunt, .250" diameter, 6" length, 1/2" NPT connection



**Tel-Tru Manufacturing Company**

408 St. Paul St., Rochester, New York 14605 USA

Phone: 585.232.1440 • 800.232.5335 • E-mail: customerservice@teltru.com • Web: www.teltru.com

ND32301

© 2023



# TEL-TRU MANUFACTURING COMPANY

## MODEL SD3 SANITARY DIGITAL THERMOMETER

The Tel-Tru SD3 digital thermometer is designed to deliver industry-leading value. It is rugged and dependable for use in sanitary applications, and is available in a wide range of configurations to meet customer needs. All models are NIST traceable and include a lifetime battery that lasts a minimum of 8 years.\*

The SD3 meets 3-A Sanitary Standard 74-07 requirements for sensors and sensor fittings and connectors used in milk and milk products. No thermowell is required because a Tri-Clamp® sanitary fitting is integral to the thermowell, thus reducing installation and instrument costs.

### ➤ FEATURES:

- Heavy duty 3" (77mm) 304SS hermetically sealed case
- Digital sensor for maximum precision
- Response rate of 1 second
- 8-year lithium battery\*
- Available in wide range of configurations
- High-visibility 0.4" (10mm) tall LCD display
- Serial number on each unit for identification
- NIST traceable calibration certificate available
- Factory programmable for °F or °C

### ➤ SPECIFICATIONS:

#### Environmental

Protection: IP67  
 Traceability: NIST traceable  
 Operating Temp. Range: -67°F to 302°F (-55°C to 150°C)

#### Mechanical

Probe lengths: 1.625" to 22.5" (4.13cm to 57.15cm)  
 Probe diameters: .250" (.64cm)  
 Probe material: 316SS  
 Housing: Heavy duty 3" (77mm) 304SS hermetically sealed case  
 Lens: Glass (standard) or Polycarbonate  
 Digit Size: High-visibility 4 digit, 0.4" (10mm) tall  
 Mounting Type: Adjustable Angle, Back Connect, Bottom Connect  
 Connection fittings: 316SS Tri-Clamp fitting sizes .75", 1.5", 2", 3", and 4"  
 Ambient Temp. Range: 20°F to 120°F (-7°C to 49°C)  
 Battery: 8-year lithium battery\*  
 Warranty: 2 years from shipment

#### Electrical

Sensor: High-precision digital temperature sensor  
 Accuracy: ±0.1 °F/C (maximum) from -4°F to 122°F (-20°C to 50°C)  
 ±0.2 °F/C (maximum) from -40°F to 212°F (-40°C to 100°C)  
 ±0.3 °F/C (maximum) from -67°F to 257°F (-55°C to 125°C)  
 ±0.4 °F/C (maximum) from -67°F to 302°F (-55°C to 150°C)

Display Resolution: 0.1°F/C  
 Refresh Rate: 1 second

\* Battery life expectancy is eight years at normal room temperature.



Available in three colors



### Tel-Tru Manufacturing Company

408 St. Paul St., Rochester, New York 14605 USA

Phone: 585.232.1440 • 800.232.5335 • E-mail: customerservice@teltru.com • Web: www.teltru.com

Tri-Clamp is a registered trademark of Alfa Laval Inc. Corporation

ISO 9001:2015

**➤ HOW TO ORDER:**

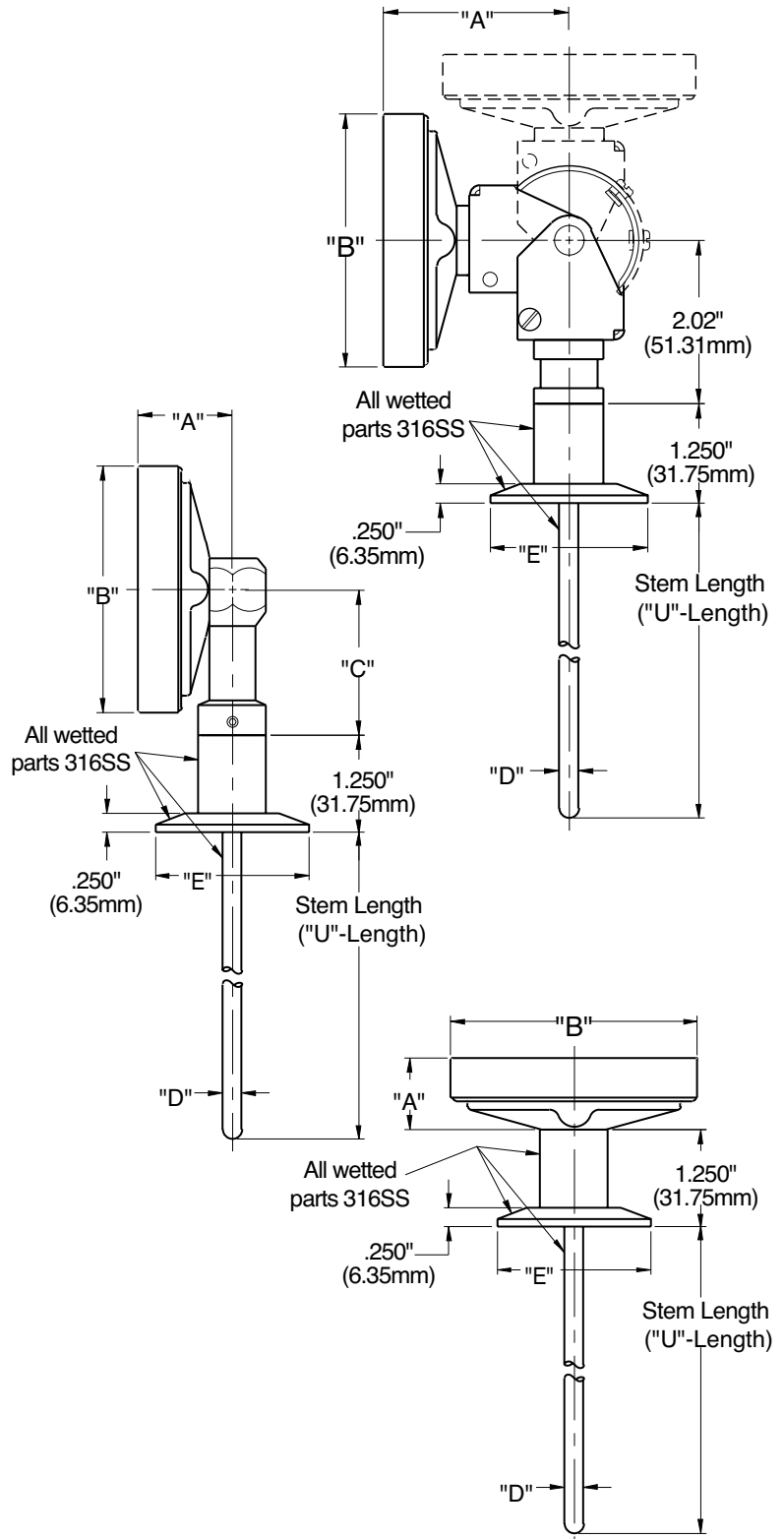
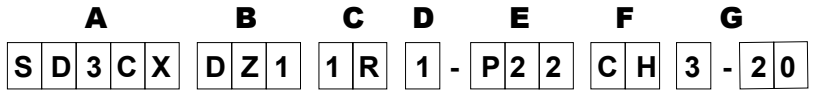
<b>A</b>	<b>Case Size and Mounting - Sanitary</b>	
	SD3AX	3" Adjustable Angle
	SD3BX	3" Back Connect
	SD3CX	3" Bottom Connect at 6:00 Position
	SD3DX	3" Right Connect at 3:00 Position
	SD3EX	3" Left Connect at 9:00 Position
	SD3FX	3" Top Connect at 12:00 Position
<b>B</b>	<b>Range</b>	
	DV1	-67/302°F
	DZ1	-55/150°C
<b>C</b>	<b>Lens Color</b>	
	1W	White Dial
	1B	Blue Dial
	1R	Red Dial
<b>D</b>	<b>Lens Material</b>	
	1	Glass (Std)
	3	Polycarbonate
<b>E</b>	<b>Probe Type and Diameter</b>	
	P22	316SS Blunt, .250" Diameter
<b>F</b>	<b>Probe Length</b>	
	IC	1.625"
	02	2.5"
	CH	4.5"
	AT	7.5"
	DC	10.5"
	EC	13.5"
	FJ	16.5"
JQ	22.5"	
<b>G</b>	<b>Connection</b>	
	3-05	3/4" Tri-Clamp (316LSS) *
	3-10	1½" Tri-Clamp (316LSS) **
	3-20	2" Tri-Clamp (316LSS)
	3-25	2½" Tri-Clamp (316LSS)
	3-30	3" Tri-Clamp (316LSS)
	3-40	4" Tri-Clamp (316LSS)

\* used on both 1/2" and 3/4" lines  
 \*\* used on both 1" and 1-1/2" lines

**➤ APPLICATIONS:**

- Food and Beverage
- Pharmaceutical/Biotech
- Petrochemical
- Water/Wastewater Processing

**Ordering Example:** Model SD3, 3" Bottom Connect (6:00), range -55/150°C, red glass lens, probe 316SS blunt, .250" diameter, 4.5" length, 2" Tri-Clamp connection



**Tel-Tru Manufacturing Company**

408 St. Paul St., Rochester, New York 14605 USA

Phone: 585.232.1440 • 800.232.5335 • E-mail: customerservice@teltru.com • Web: www.teltru.com

SD32301  
 © 2023



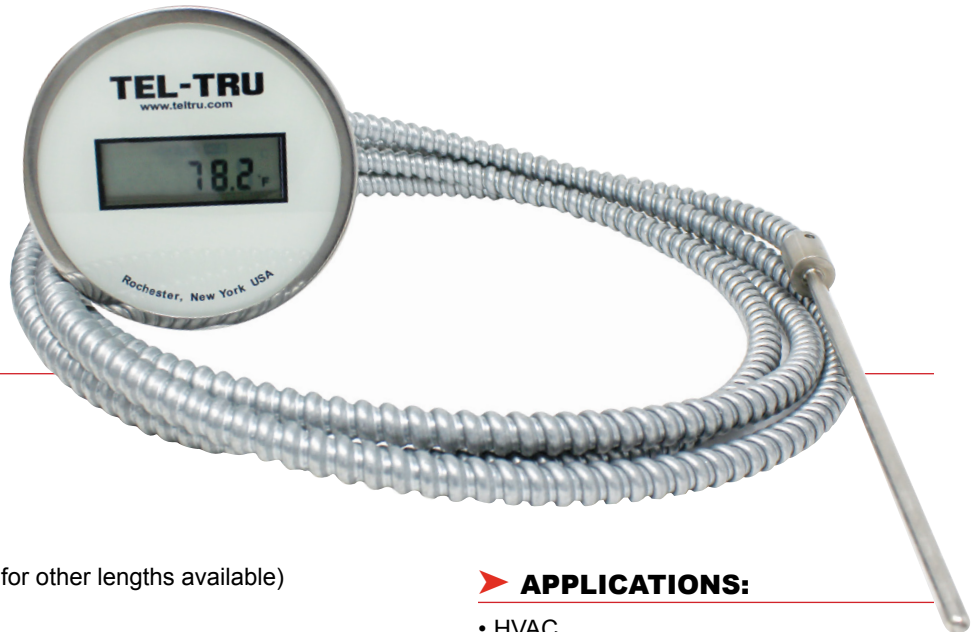
# TEL-TRU MANUFACTURING COMPANY

## MODEL RD3 AND RD4 INDUSTRIAL DIGITAL THERMOMETERS

The Tel-Tru Digi-Tru™ RD3 and RD4 digital thermometers are designed to deliver industry-leading value. They are rugged and dependable for use in industrial applications, and are available in a wide range of configurations to meet customer needs. All models include a robust battery that lasts a minimum of eight years. \*

### FEATURES:

- Heavy duty 3" (77mm) or 4" (102mm) 304SS case
- Digital sensor for maximum precision
- Response rate of 1 second
- 8-year lithium battery \*
- High-visibility 0.4" (10mm) tall LCD display
- Serial number on each unit for identification
- NIST traceable calibration cert. available
- Factory programmable for °F or °C
- Ideal for replacing Gas Actuated and Vapor Tension thermometers



### SPECIFICATIONS:

#### Environmental

Traceability: NIST traceable  
 Operating Temp. Range: -67°F to 302°F (-55°C to 150°C)

#### Mechanical

Probe length: 8" probe (contact factory for other lengths available)  
 Probe diameter: .250" (.64cm)  
 Probe material: 304SS  
 Housing: RD3: Heavy duty 3" (77mm) 304SS case  
 RD4: Heavy duty 4" (102mm) 304SS case  
 Lens: Glass (standard) or Polycarbonate  
 Digit Size: High-visibility 4 digit, 0.4" (10mm) tall  
 Mounting Type: U Clamp  
 Connection fitting: ½" NPT Sliding Compression Fitting  
 Cable: Armored flexible conduit (zinc-plated)  
 Ambient Temp. Range: 20°F to 120°F (-7°C to 49°C)  
 Battery: 8-year lithium battery \*  
 Warranty: 2 years from shipment

#### Electrical

Sensor: High-precision digital temperature sensor  
 Accuracy: ±0.1 °F/C (maximum) from -4°F to 122°F (-20°C to 50°C)  
 ±0.2 °F/C (maximum) from -40°F to 212°F (-40°C to 100°C)  
 ±0.3 °F/C (maximum) from -67°F to 257°F (-55°C to 125°C)  
 ±0.4 °F/C (maximum) from -67°F to 302°F (-55°C to 150°C)  
 Display Resolution: 0.1°F/C  
 Refresh Rate: 1 second

### APPLICATIONS:

- HVAC
- OEM Configurations
- General Industrial

Available in three colors



\* Battery life expectancy is eight years at normal room temperature.



**Tel-Tru Manufacturing Company**

408 St. Paul St., Rochester, New York 14605 USA

Phone: 585.232.1440 • 800.232.5335 • E-mail: customerservice@teltru.com • Web: www.teltru.com

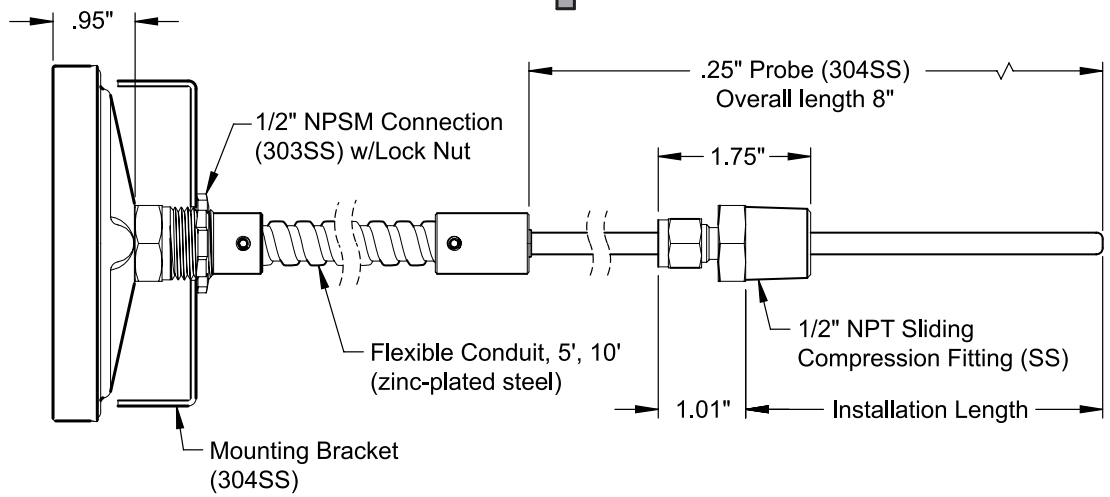
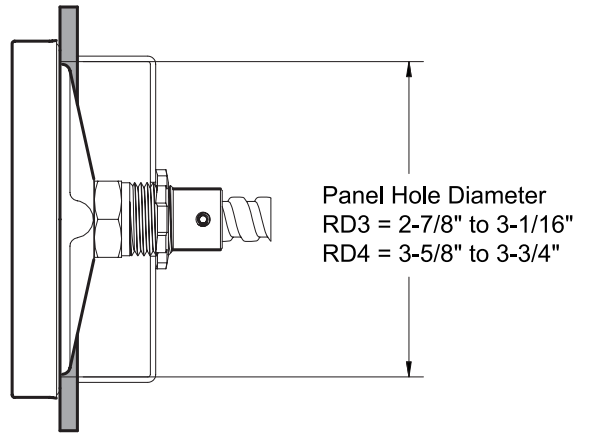
ISO 9001:2015

**➤ HOW TO ORDER:**

**Ordering Example:** Model RD4, 4" Remote Connect, -67/302°F, blue glass lens, probe 304SS blunt, .250" diameter, 8" probe length, Sliding compressing fitting to 1/2" NPT connection, Armored (zinc-plated steel) 10' cable

<b>A</b>	<b>B</b>	<b>C</b>	<b>D</b>	<b>E</b>	<b>F</b>	<b>G</b>	<b>H</b>	<b>I</b>
R D 4 G X	D V 1	1 B	1	- P 1 2	0 8	8	- C 5	0 1 0

<b>A</b>	<b>Case Size and Mounting</b> RD3GX 3" Remote Mount RD4GX 4" Remote Mount
<b>B</b>	<b>Range</b> DV1 -67/302°F DZ1 -55/150°C
<b>C</b>	<b>Lens Color</b> 1W White dial 1B Blue dial 1R Red dial
<b>D</b>	<b>Lens Material</b> 1 Glass (Std) 3 Polycarbonate
<b>E</b>	<b>Probe Type and Diameter</b> -P12 304SS Blunt (Std), .250" Diameter
<b>F</b>	<b>Probe Length</b> 08 8"
<b>G</b>	<b>Connection</b> 8 Sliding Compression Fitting to 1/2" NPT
<b>H</b>	<b>Shielding</b> -C5 Armored cable, zinc-plated steel
<b>I</b>	<b>Cable Length</b> 005 5' Cable 010 10' Cable



TRACEABLE TO **NIST** MADE IN **USA**



**Tel-Tru Manufacturing Company**

408 St. Paul St., Rochester, New York 14605 USA

Phone: 585.232.1440 • 800.232.5335 • E-mail: customerservice@teltru.com • Web: www.teltru.com

RD342303

© 2023