



TEL-TRU MANUFACTURING COMPANY

XTR-BT CONFIGURATION KIT FOR REMOTE CONFIGURATION AND MONITORING

XTR-BT is a Bluetooth® modem for wireless communication between smartphones/tablets and Tel-Tru temperature transmitters. Together with the app, you can configure and monitor the transmitter while it is still mounted in the process. Simply plug in your XTR-BT to the USB connector on the transmitter and connect with your portable device. Thanks to the extended range that Bluetooth offers, you can communicate with the transmitter remotely.

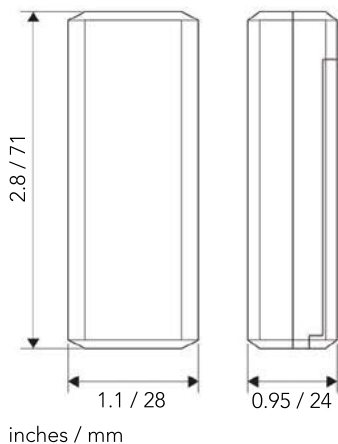
FEATURES:

- Communication via Bluetooth
- Great tool for service and maintenance
- Optimized for work on the field
- Small form factor of XTR-BT modem
- Live monitoring and diagnostics

SPECIFICATIONS:

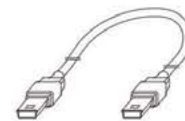
Ambient temperature operating	-4/122°F or -20/50°C
Bluetooth	BLE 4.2
Size	2.8 x 1.1 x 0.95 inches
Weight	0.11 lbs. including batteries
DID	D038134
Included in the kit	XTR-BT, USB-Cable, Batteries, and Quick guide

DIMENSIONS:



CONNECTIONS

Connection cable



USB Mini-B
From Bluetooth modem
to transmitter

Installation



HOW TO ORDER

XTR-BT Bluetooth Configuration Kit

[XTRBT](#)



Tel-Tru Manufacturing Company

408 St. Paul St., Rochester, New York 14605 USA

Phone: 585.232.1440 • 800.232.5335 • Fax: 585.232.3857 • E-mail: info@teltru.com • Web: www.teltru.com

XTRBT
© 2021