



# TEL-TRU MANUFACTURING COMPANY

## XTR-CFG TRANSMITTER CONFIGURATION KIT

XTR-CFG is a complete kit for PC configuration of the listed programmable transmitters in the Tel-Tru product line. The kit contains the XTR-CFG USB Interface, PC to Interface cable and Transmitter Cable. Communication with the connected transmitter is established automatically, without any problems to match the PC communication port to the software.



### FEATURES:

- USB communication
- Automatic matching of communication ports
- Automatic transmitter identification for quick start up
- Diagnostic LEDs on the USB Interface show the communication status
- Simple installation of configuration software and drivers for the USB Interface

### SPECIFICATIONS:

<b>Input</b> (PC to USB Interface)	USB cable type A to type B
<b>Output</b> (USB Interface to transmitter)	Mini USB to Mini USB
<b>Power Supply</b>	PC's USB port, 5 VDC, 74 mA max
<b>Ambient temperature</b>	
Operation	32 /122°F or 0/50°C
Storage	-4/140°F or -20/70°C
<b>Humidity</b>	0 to 90% RH
<b>Galvanic isolation</b>	1500 VAC
<b>USB compliance</b>	1x USB 1.1 or higher port type A
<b>System requirements</b>	
Windows	32- or 64-bit edition of Windows XP (SP2+) / Vista / 7 / 8 / 8.1 / 10
Free hard drive space	185 MB
PC Port	1x USB 1.1 or higher port type A

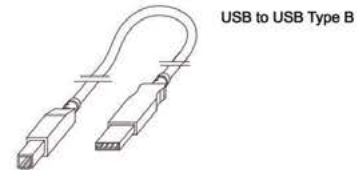
### HOW TO ORDER

XTR-CFG Configuration Kit

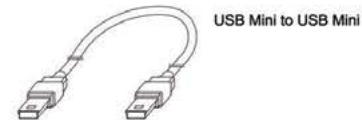
[XTRCFG](#)

### CONNECTIONS

#### Connection cables



USB to USB Type B

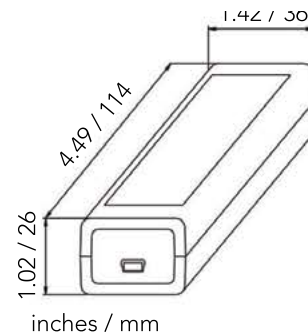


USB Mini to USB Mini



USB Mini to M12

#### USB Interface



inches / mm



### Tel-Tru Manufacturing Company

408 St. Paul St., Rochester, New York 14605 USA

Phone: 585.232.1440 • 800.232.5335 • Fax: 585.232.3857 • E-mail: [info@teltru.com](mailto:info@teltru.com) • Web: [www.teltru.com](http://www.teltru.com)

XTRCFG

© 2021