



TEL-TRU MANUFACTURING COMPANY

XTRR-1220 BASIC PROGRAMMABLE TRANSMITTER

XTRR-1220 is a basic, programmable non-isolated, easy-to-use transmitter. Configuration is made in seconds with the user friendly Windows software. No external power supply required for configuration. XTRR-1220 is programmable for RTDs in 3- and 4-wire connection according to different standards as well as for 11 T/C types. Useful error correction functions improve the accuracy.

FEATURES:

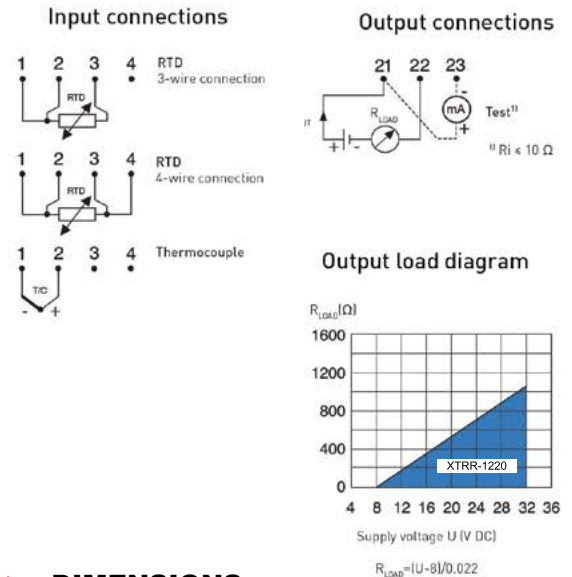
- Accepts RTD in 3- and 4-wire connection and 11 T/C types
- Temperature linear output
- Sensor error and system (sensor/transmitter) error correction for highest total accuracy
- Configuration without external power through USB
- Easy-to-use Windows configuration software
- Test output without breaking the loop
- Withstands vibrations up to 5 g

SPECIFICATIONS:

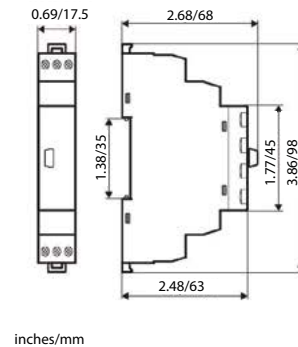
Input RTD	3-, 4-wire connection
Pt100 ($\alpha=0.00385$) ¹⁾	-328/1832°F or -200/1000°C
Pt1000 ($\alpha=0.00385$) ¹⁾	-328/392°F or -200/200°C
PtX $10 \leq X \leq 1000$ ($\alpha=0.00385$) ¹⁾	Upper range depending on X-value
Pt100 ($\alpha=0.003902$)	-328/1832°F or -200/1000°C
Pt100 ($\alpha=0.003916$)	-328/1832°F or -200/1000°C
Ni100 ²⁾	-76/482°F or -60 /250°C
Ni1000 ²⁾	14/302°F or -10/150°C
Ni120 ³⁾	-94/572°F or -70/300°C
Cu10 ⁴⁾	-328/500°F or -200/260°C
Input thermocouples	B, C, E, J, K, L, N, R, S, T, U
Types	Upscale, downscale or off
Sensor failure	Any value within range limits
Adjustments - zero	Any value within range limits
Adjustments - minimum spans	
Pt100, Pt1000, Ni100, Ni1000	18°F / 10°C
T/C	2 mV
Output	4-20 mA, temperature linear
Operating temperature	-4/158°F or -20/70°C
Galvanic isolation	No
Power supply	8.0...32.0 VDC
Typical accuracy	±0.15% of temperature span
Connection head	Rail acc. to DIN EN 50022, 35 mm



CONNECTIONS



DIMENSIONS:



HOW TO ORDER

XTRR-1220 Transmitter [IT61XXXX](#)
 XTR-CFG PC configuration kit (USB-conn.) [TTXTRCFK](#)

¹⁾ IEC 60751, ²⁾ DIN43760, ³⁾ Edison No.7, ⁴⁾ Edison No.15



Tel-Tru Manufacturing Company

408 St. Paul St., Rochester, New York 14605 USA

Phone: 585.232.1440 • 800.232.5335 • Fax: 585.232.3857 • E-mail: info@teltru.com • Web: www.teltru.com

XTRR1220

© 2021