



TEL-TRU MANUFACTURING COMPANY

XTRR-1530 UNIVERSAL HART®-COMPATIBLE TRANSMITTER

XTRR-1530 is a modern, HART temperature transmitter developed to meet the highest standards of accuracy and reliability. This universal transmitter is compatible with RTD, thermocouples, voltage and potentiometer sensors. It is fully compatible with HART 7 and offers extended diagnostic information, for example device error, sensor and wiring conditions.

XTRR-1530 can be configured using the USB capable configuration kit (sold separately).

FEATURES:

- High accuracy and long term stability
- Accepts RTD, T/C, mV and ohm
- Sensor error correction
- 50-point Customized Linearization and Callendar-Van Dusen
- Low temperature drift
- High security - Password protection and date of changes logged
- Configuration via USB, without external power
- Runtime counter - hour counter for elapsed operational time

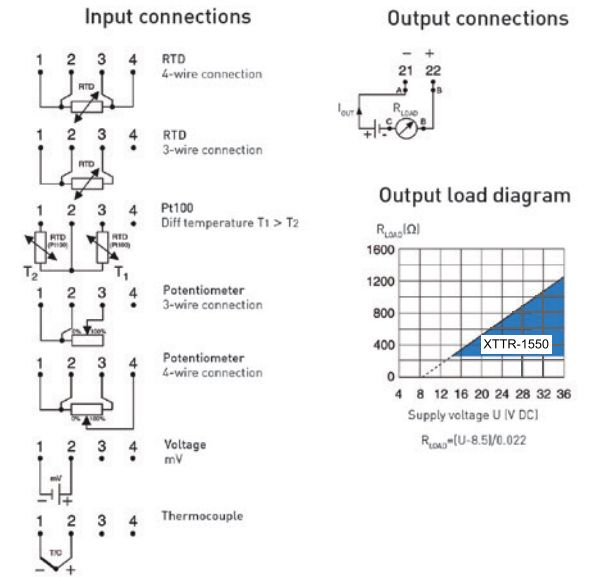
SPECIFICATIONS:

Input RTD	2-, 3-, 4-wire connection
Pt100 ($\alpha = 0.00385$)	-328/1562°F or -200/850°C
PtX $10 \leq X \leq 1000$ ($\alpha = 0.00385$)	Upper range depending on X-value
Pt100 ($\alpha = 0.003916$)	-328/1562°F or -200/850°C
Ni100 ¹⁾ , Ni120 ²⁾	-76/482°F or -60/250°C
Ni1000 ¹⁾	-58/356°F or -50/180°C
Cu10 ³⁾	-58/392°F or -50/200°C
Input resistance / potentiometer	0 to 10,000 Ω / 100 to 10,000 Ω
Input thermocouples	Types B, C, D, E, J, K, N, R, S, T
Input mV	-10 to 1,000 mV
Sensor failure	Upscale (≥ 21.0 mA) or downscale (≤ 3.6 mA) action
Adjustments - zero	Any value within range limits
Adjustments - minimum spans	
Pt100, Pt1000, Ni100, Ni1000	18°F / 10°C
Potentiometer	100 Ω
T/C, mV	2 mV
Output	4-20 / 20-4 mA, temperature linear
Operating temperature	-40/185°F or -40/85°C
Galvanic isolation	1500 VAC, 1 min
Power supply	8.5...36.0 VDC
Intrinsic safety	Call for information on ATEX, IECEx, FM US/CA models
Typical accuracy	$\pm 0.08^\circ\text{C}$ or $\pm 0.08\%$ of span
Connection head	DIN B or larger

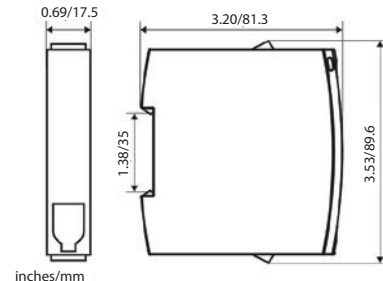
¹⁾IEC 60751, $\alpha = 0.00385$ and Pt100 acc. to JIS 1604, $\alpha = 0.003916$ ²⁾DIN 43760
³⁾Temperature, resistance or voltage linear, customized linearization possible



CONNECTIONS



DIMENSIONS:



HOW TO ORDER

XTRR-1530 Transmitter	TT02XXXX
XTR-CFG PC configuration kit (USB-conn.)	TTXTRCFK
XTR-BT Bluetooth® kit	TTXTRBTK



Tel-Tru Manufacturing Company

408 St. Paul St., Rochester, New York 14605 USA
 Phone: 585.232.1440 • 800.232.5335 • Fax: 585.232.3857 • E-mail: info@teltru.com • Web: www.teltru.com

XTRR1530
 © 2021