

Tel-Tru® Check-Set® Series of Thermometer Calibrators

QUICK START GUIDE

STEP 1

Register your new Check-Set at
www.teltru.com/checksetwarranty.aspx



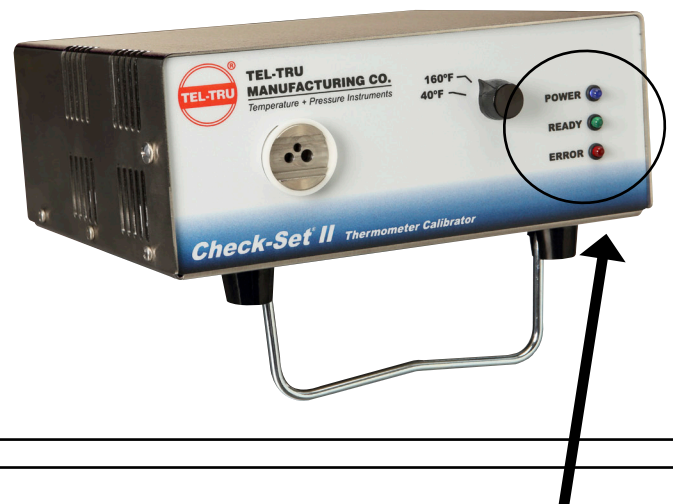
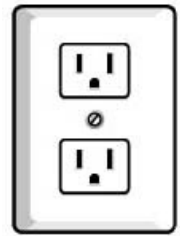
SCAN ME
for quick registration
on our website!!!

Registering your Check-Set:

- Ensures warranty coverage for one year.
- Provides valuable information on how to have your Check-Set recalibrated every year and extend your warranty.
- Offers suggestions on how to keep your Check-Set running trouble free for years to come.

STEP 2

Insert the power cord into a standard grounded outlet and turn the unit on.



STEP 3

After a brief warm up period your Check-Set is ready for use. The unit is ready when you see the green light turn on. Insert your thermometer and allow it to stabilize.

STEP 4

You're ready!

Verify or calibrate your thermometer per the manufacturer's instructions (see reverse).

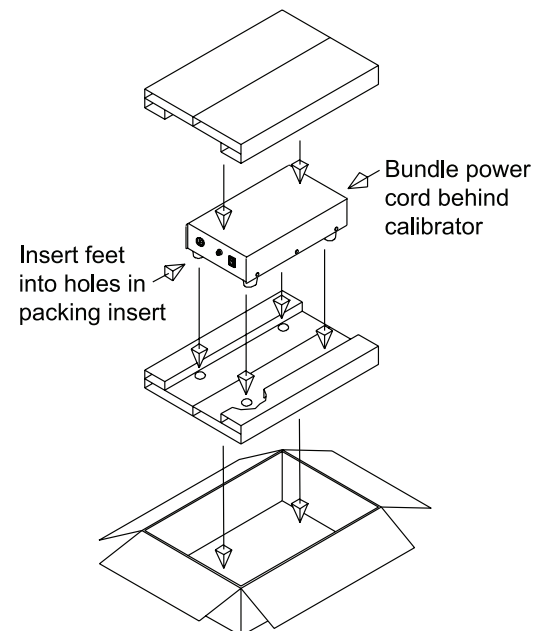
STEP 5

FACTORY RECALIBRATION/ RECERTIFICATION SERVICE

Tel-Tru Manufacturing Co. offers annual maintenance, inspection, cleaning, and accuracy recertification of each Check-Set thermometer calibrator. Recertification automatically extends the product warranty for one year. Visit us at www.teltru.com/calibrator.asp or contact Tel-Tru Customer Service at 800-232-5335 for details.

STEP 6

Keep your original packaging for calibration returns and warranty service. Visit us at www.teltru.com/calibrator.asp for an extended user's manual, FAQ and accessories for your Check-Set.



Important Things To Know...

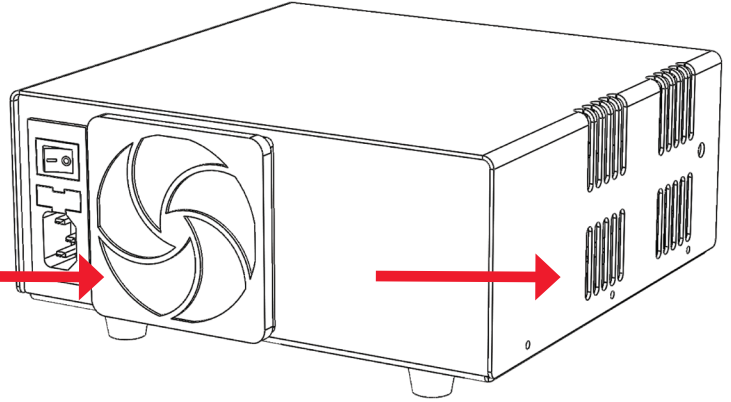
CALIBRATION VERIFICATION PROCEDURE:

1. Insert thermometer probe into the appropriate opening in the front panel of calibrator.
2. Allow thermometer to remain in the opening until temperature indicator pointer or digital readout stabilizes.
3. Compare thermometer reading to the "Set" point of the Check-Set calibrator.
4. Make any calibration adjustments to the thermometer per the manufacturer's calibration instructions.

TEL-TRU THERMOMETER CALIBRATOR CARE AND USE INSTRUCTIONS

Your Tel-Tru Thermometer Calibrator has been designed to provide many years of trouble-free service. You can help ensure that your calibrator will provide you with this trouble-free service through careful use and basic maintenance tasks. Set-up of all Tel-Tru Thermometer Calibrators should be done on a flat, clean, dry surface, in a well ventilated area. Set-up of the "cold" and "multi-temperature" Tel-Tru Thermometer Calibrators should be done in a manner that provides maximum air circulation around the unit.

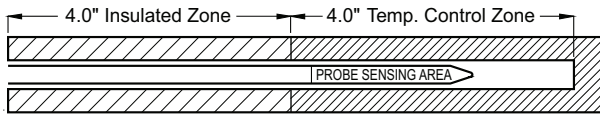
- Ideal ambient operating temperature should range between 65°F and 85°F.
- Avoid setting the unit on surfaces that may restrict air flow, such as carpet and towels.
- Allow clearance around the unit. It is better if the unit is not "stacked" with other equipment.
- **The fan vent at the rear, and the exhaust vent on the side of the unit must be kept clear.**
- The air filter for the fan vent should be cleaned regularly (DO NOT remove filter screws, the filter guard can be "popped out" with your fingers).
- The tilt stand may be used to improve air circulation.



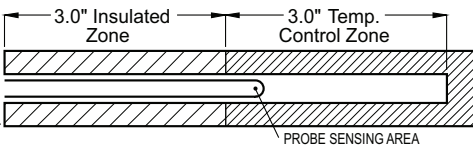
PROBE IMMERSION REQUIREMENTS

For best results, the sensing area of the probe must be inserted completely into the Temperature Control Zone. The minimum immersion depth is dependent on the thermometer type. Check the manufacturer's user manual of your thermometer for the correct immersion length.

Drawing A (CS1-HOT)



Drawing B (All other models)



"READY-TO-USE" TIMES

Users often keep the Check-Set units on all day so they are ready for use "on demand." Typical ready-to-use times from ambient:

Model	Calibration Temperature	Ready to Use Time	Stability	
Check-Set I HOT	140°F	10 min.	±0.06°F	
	160°F	14 min.	±0.06°F	
	212°F	20 min.	±0.06°F	
Check-Set I COLD	40°F	5 min.	±0.03°F	
	Check-Set II	40°F	5 min.	±0.03°F
		160°F	7 min.	±0.03°F
Check-Set II	5°C	5 min.	±0.02°C	
	90°C	12 min.	±0.02°C	
	Check-Set IV	40°F	6 min.	±0.03°F
150°F		6 min.	±0.03°F	
161°F		7 min.	±0.03°F	
	175°F	9 min.	±0.03°F	

Check-Set Accuracy ±0.2°F(0.1°C)



**TEL-TRU
MANUFACTURING CO.**
Temperature + Pressure Instruments

Tel-Tru Manufacturing Company
408 St. Paul Street, Rochester, NY 14605
Phone: 800.232.5335 • 585.232.1440
Fax: 585.232.3857
www.teltru.com

CSQ15rev1
© 2016